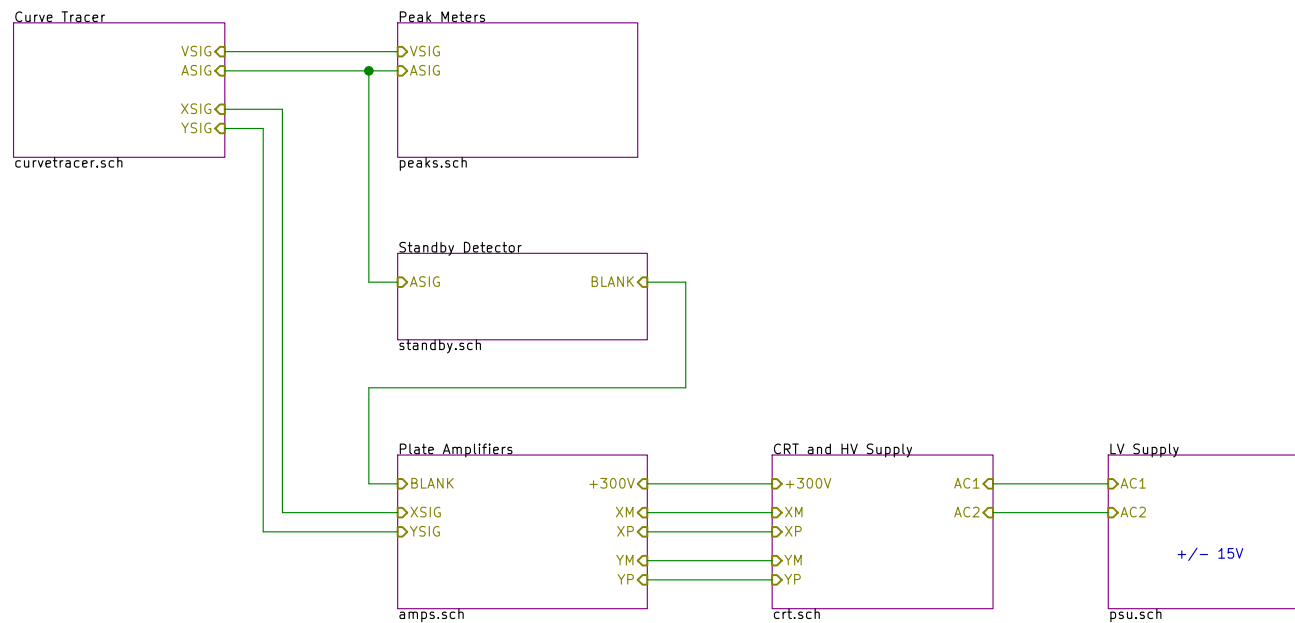


# Analog Signature Curve Tracer with 5L0381 CRT



Curve Tracer with CRT  
<https://www.jsykora.info/analog-curve-tracer/>

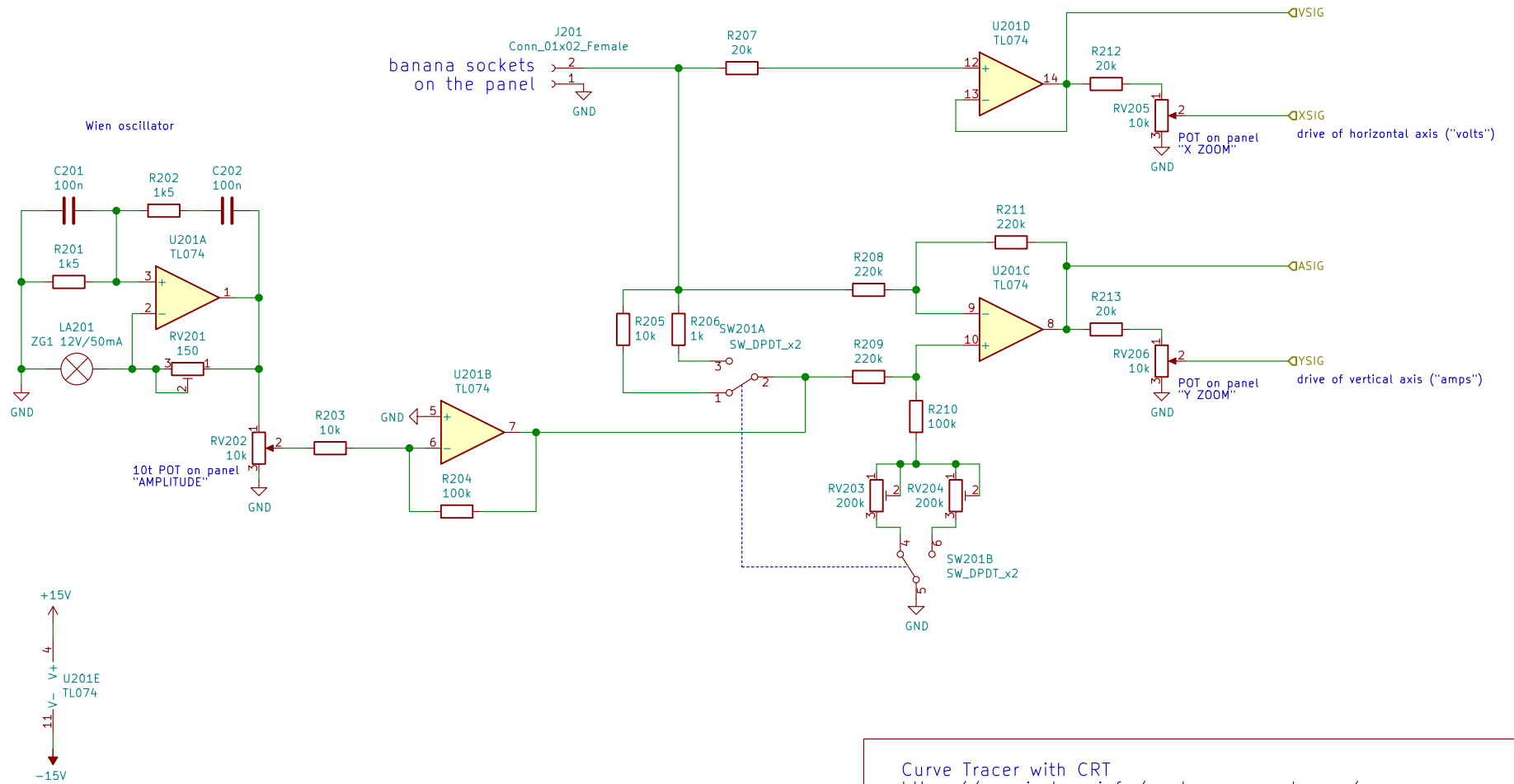
Sheet: /  
 File: analog-curve-tracer.sch

**Title:**

Size: A4 Date:  
 KiCad E.D.A. kicad 5.0.2-5.fc29

Rev:  
 Id: 1/7

# Curve Tracer



Curve Tracer with CRT  
<https://www.jsykora.info/analog-curve-tracer/>

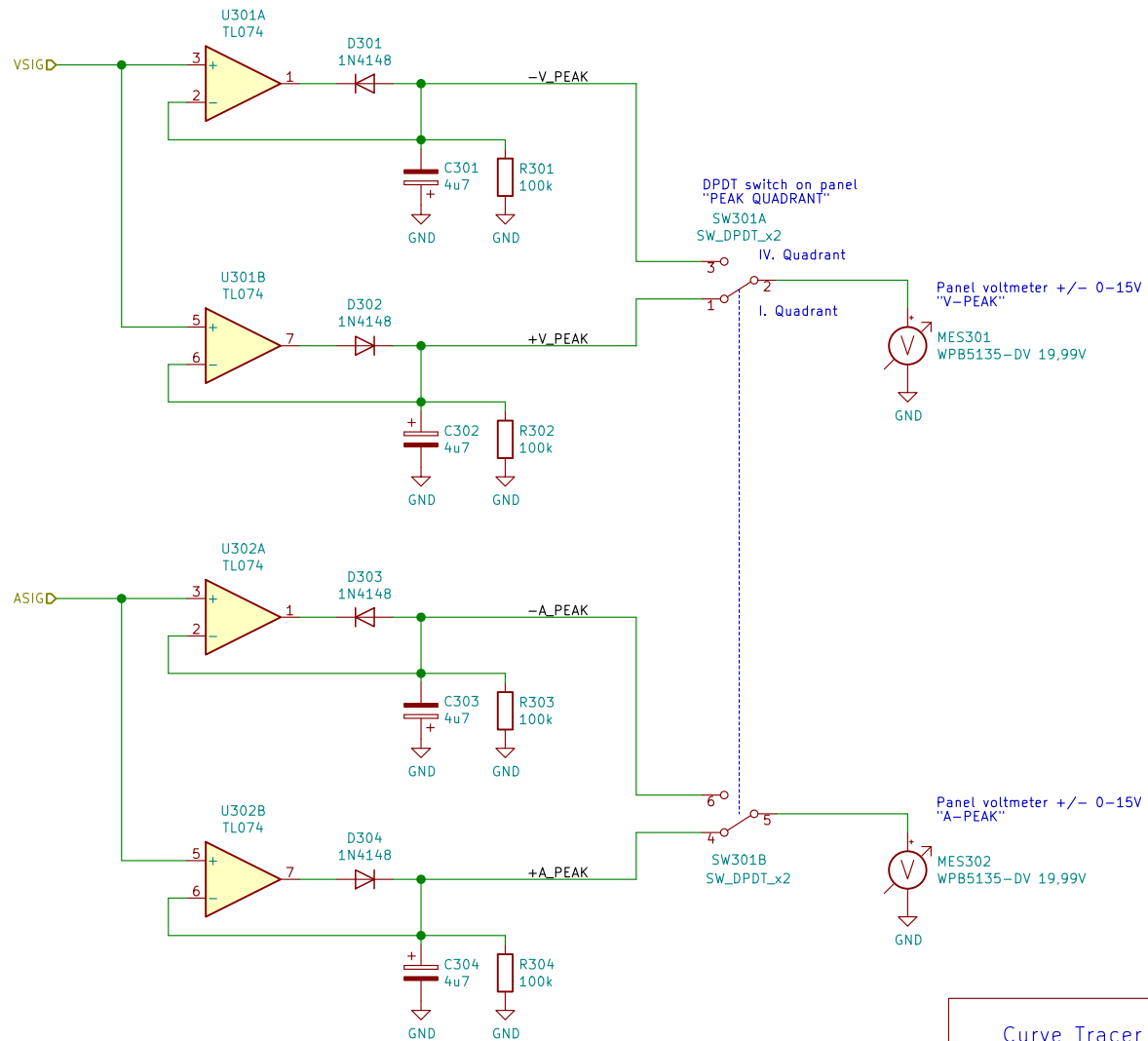
Sheet: /Curve Tracer/  
 File: curvetracer.sch

**Title:**

Size: A4 Date:  
 KiCad E.D.A. kicad 5.0.2-5.fc29

Rev:  
 Id: 2/7

# Peak Meters



Curve Tracer with CRT  
<https://www.jsykora.info/analog-curve-tracer/>

Sheet: /Peak Meters/  
 File: peaks.sch

**Title:**

Size: A4

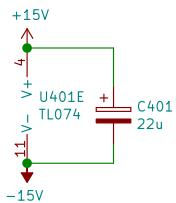
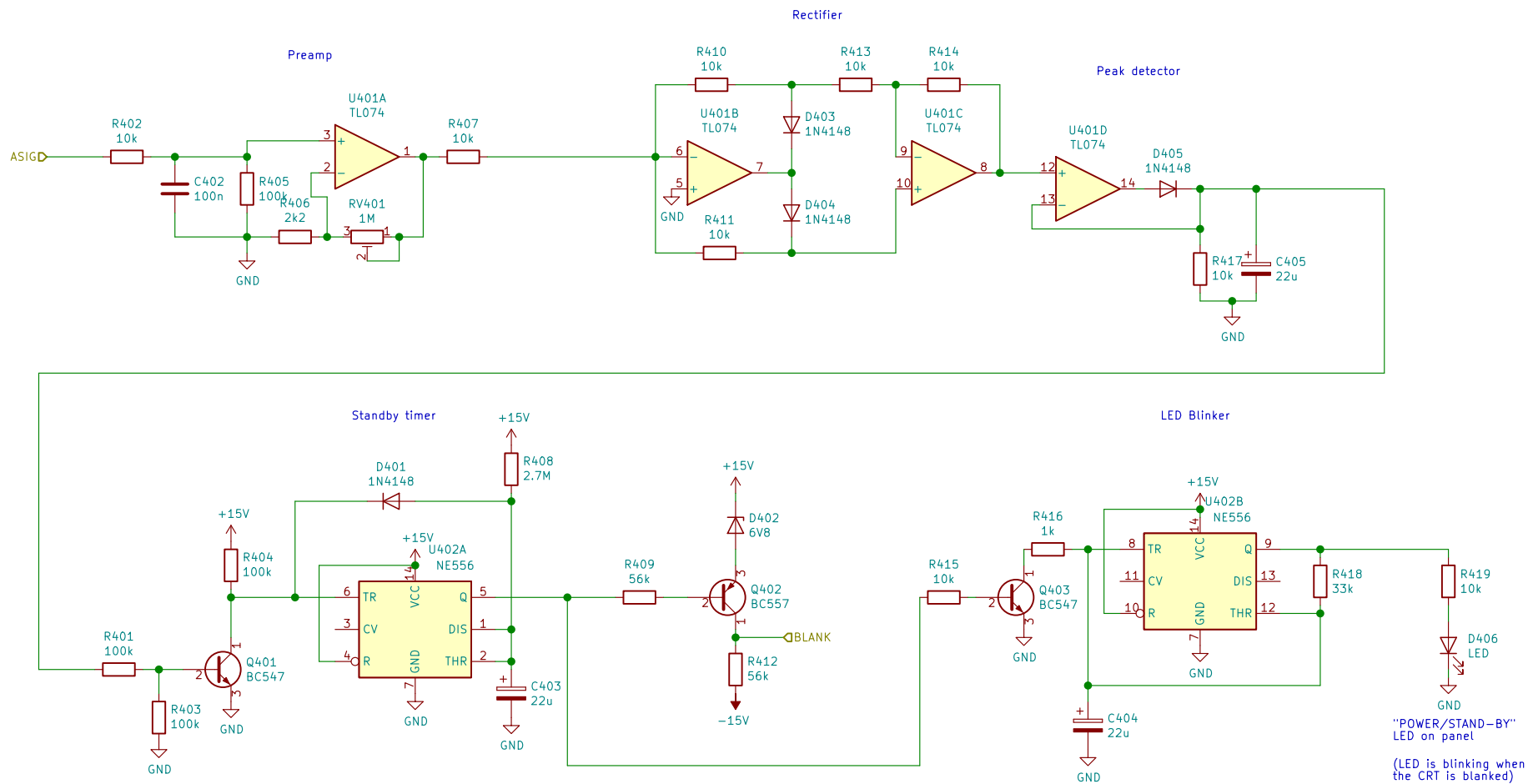
Date:

KiCad E.D.A. kicad 5.0.2-5.fc29

**Rev:**

Id: 3/7

# Standby Detector



Curve Tracer with CRT  
<https://www.jsykora.info/analog-curve-tracer/>

Sheet: /Standby Detector/  
 File: standby.sch

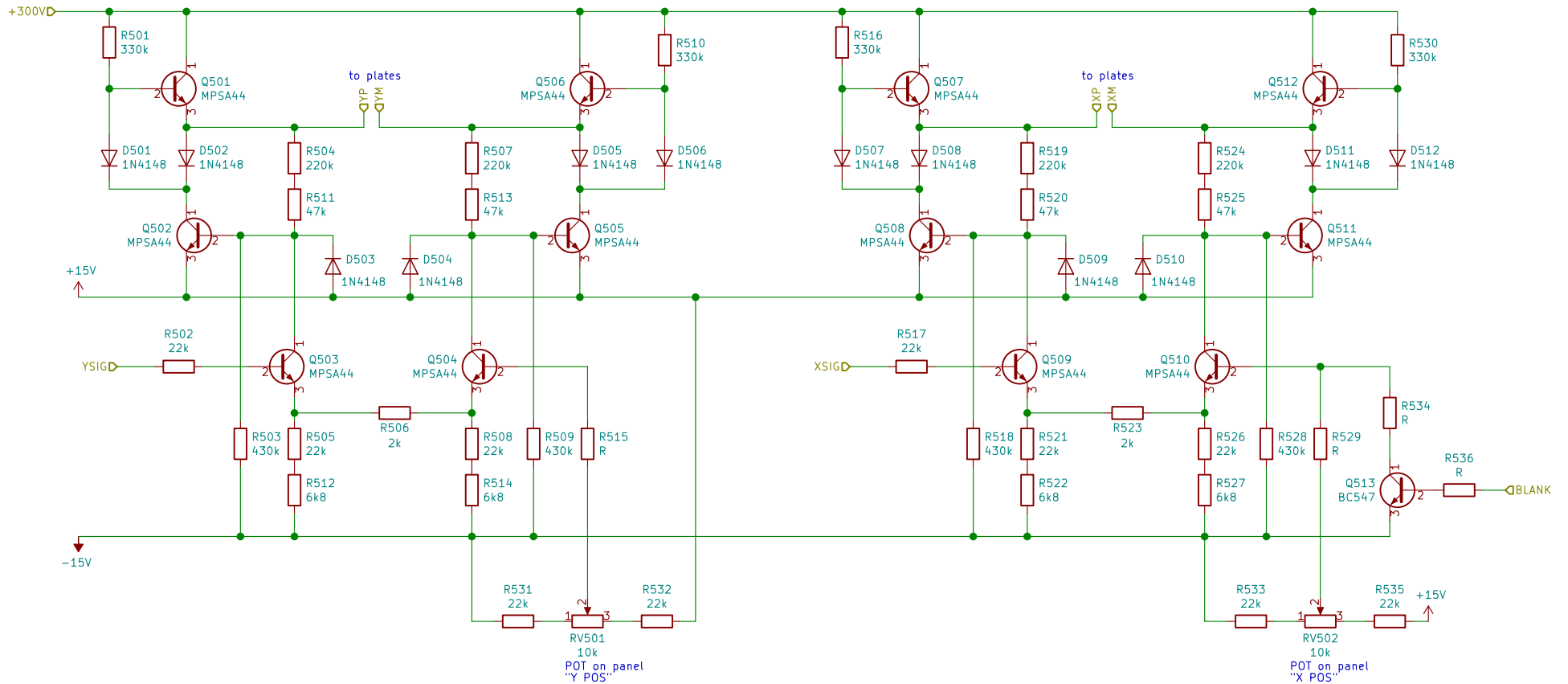
**Title:**

Size: A4 Date:  
 KiCad E.D.A. kicad 5.0.2-5.fc29

**Rev:**  
 Id: 4/7

# Plate Amplifiers

Warning: Dangerous High Voltage!!



Curve Tracer with CRT  
<https://www.jsykora.info/analog-curve-tracer/>

Sheet: /Plate Amplifiers/  
File: amps.sch

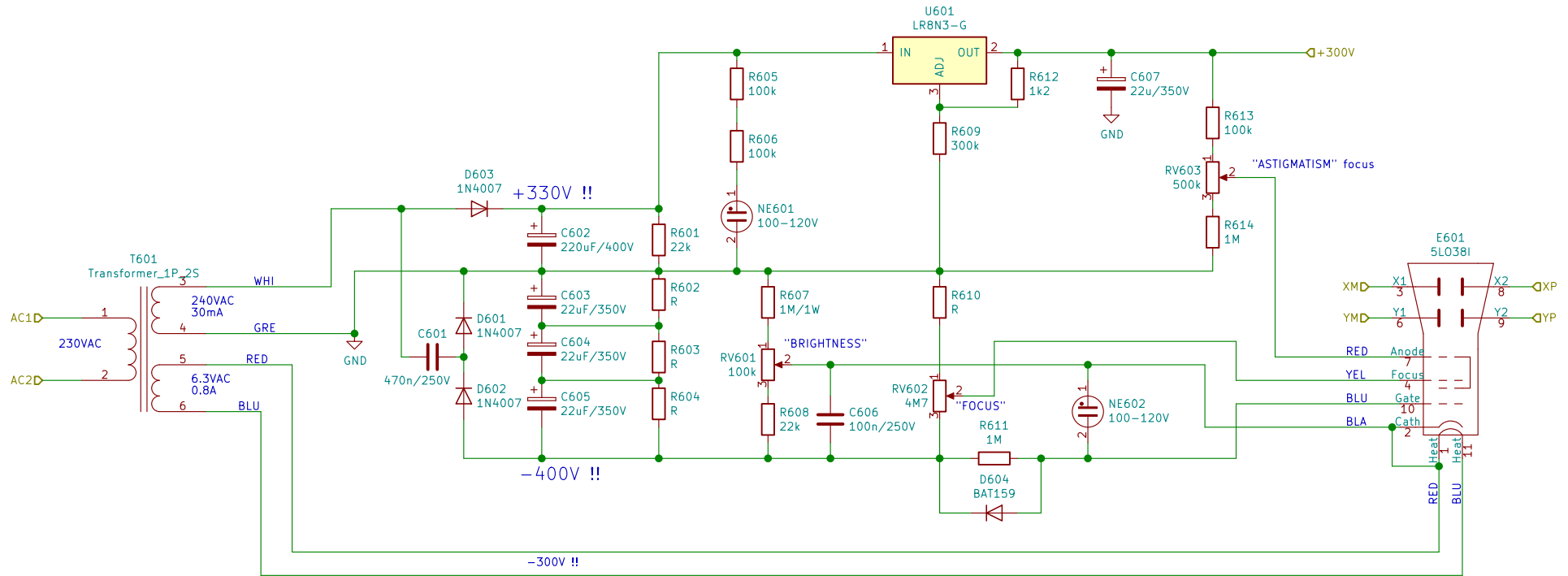
**Title:**

Size: A4 Date:  
KiCad E.D.A. kicad 5.0.2-5.fc29

**Rev:**  
Id: 5/7

# CRT and the High-Voltage Supply

Warning: Dangerous High Voltage!!



Curve Tracer with CRT  
<https://www.jsykora.info/analog-curve-tracer/>

Sheet: /CRT and HV Supply/  
File: crt.sch

**Title:**

Size: A4

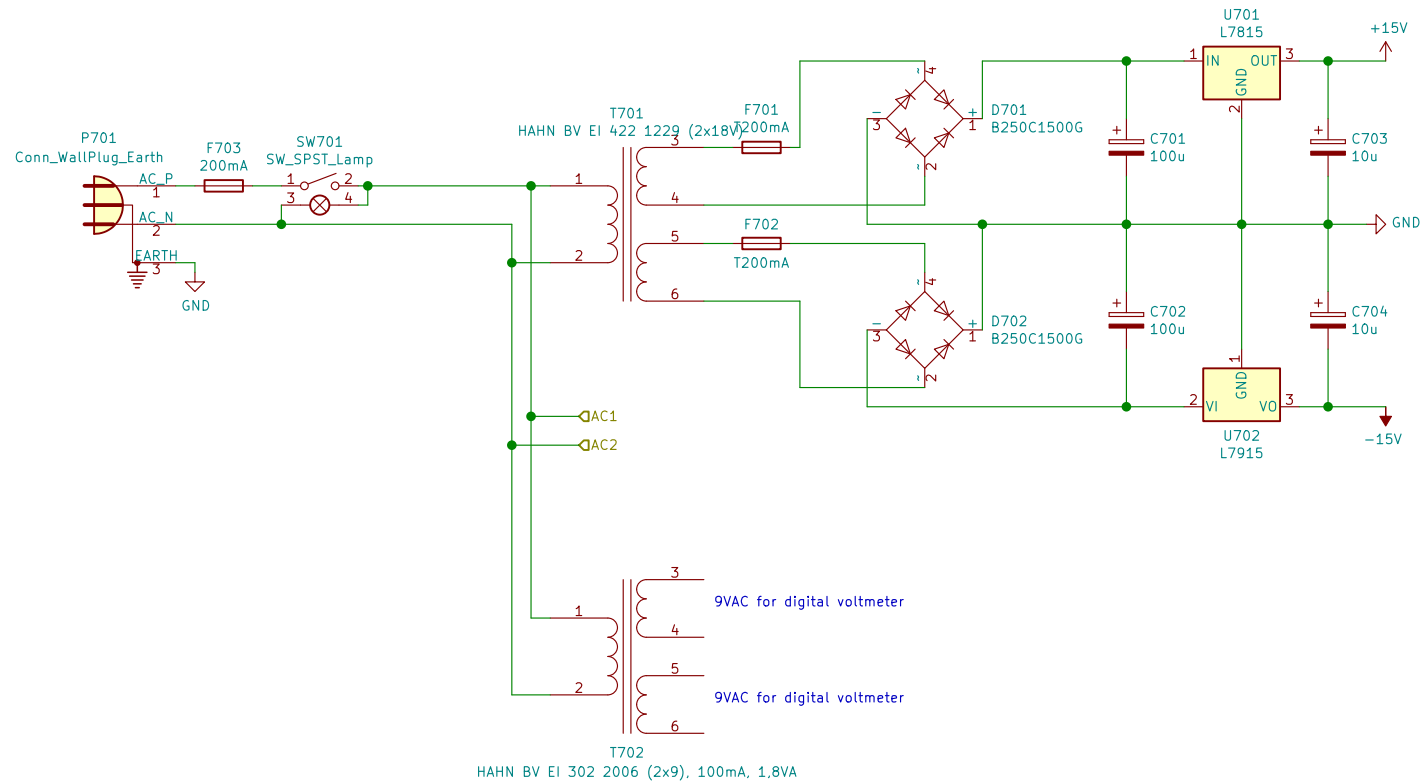
Date:

KiCad E.D.A. kicad 5.0.2-5.fc29

**Rev:**

Id: 6/7

# Low-voltage power supply



Curve Tracer with CRT  
<https://www.jsykora.info/analog-curve-tracer/>

Sheet: /LV Supply/  
 File: psu.sch

**Title:**

Size: A4

Date:

**Rev:**

KiCad E.D.A. kicad 5.0.2-5.fc29

Id: 7/7