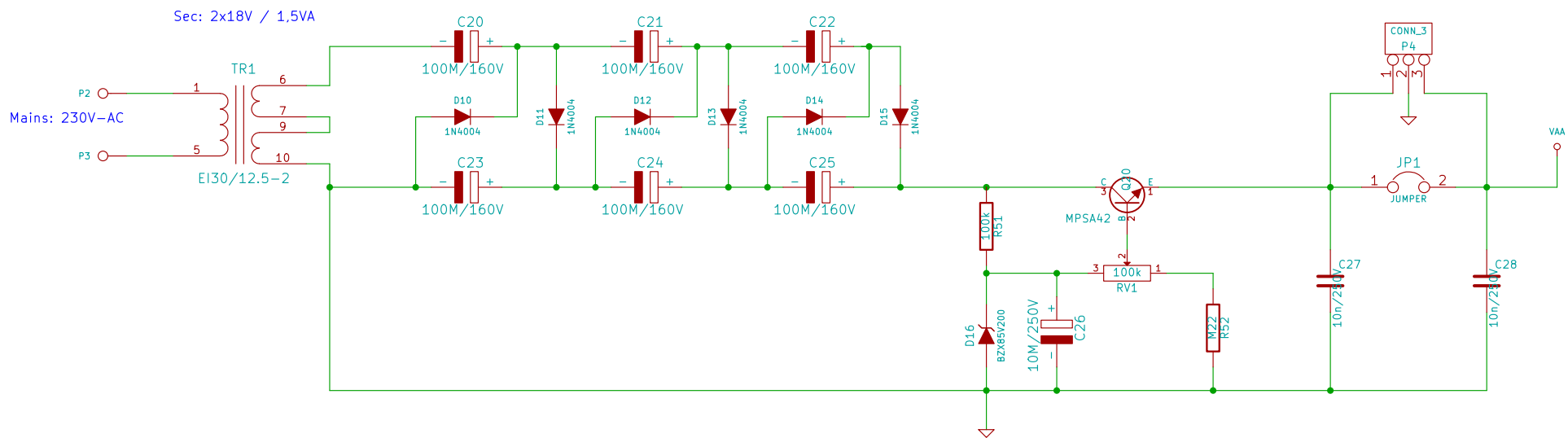
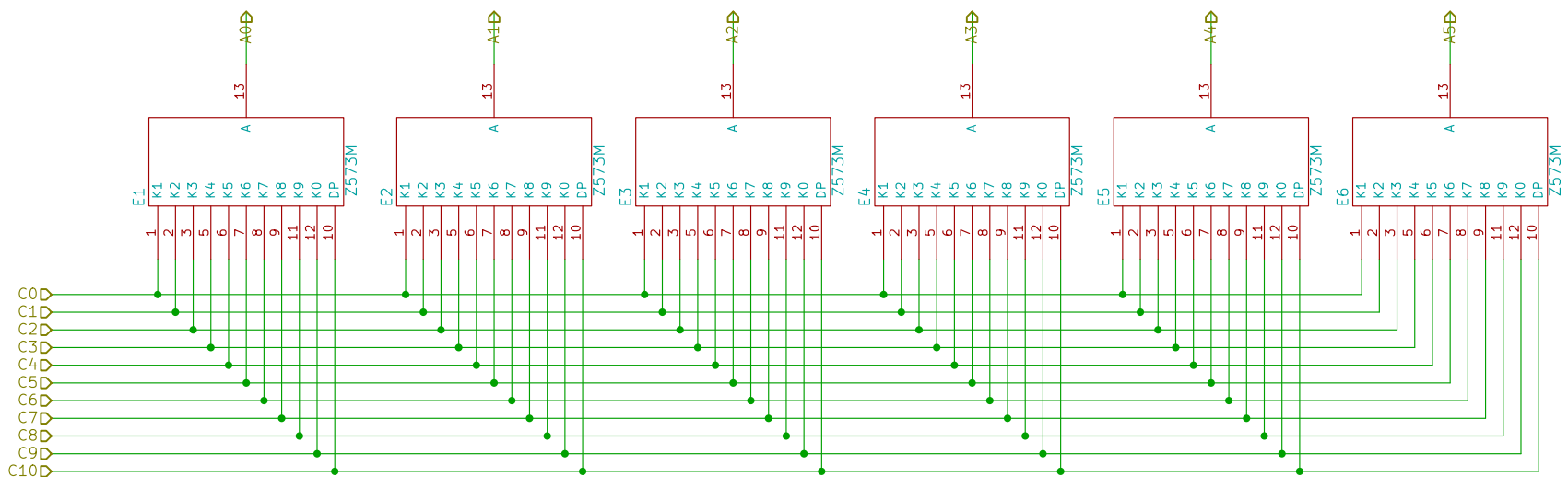


File: nixieboard.sch	
Sheet: /	
Title: NukaClock Nixieboard	
Size: A4	Date: 17 aug 2009
KiCad E.D.A.	Rev: Id: 1/4



File: hvpower.sch	
Sheet: /HV Anode Power Source/	
Title: NukaClock Nixieboard / High voltage anode power supply	
Size: A4	Date: 17 aug 2009
KiCad E.D.A.	Rev: 2/4



File: nixies.sch	
Sheet: /Nixies/	
Title: NukaClock Nixieboard / Nixies in multiplex	
Size: A4	Date: 17 aug 2009
KiCad E.D.A.	Rev: Id: 3/4

