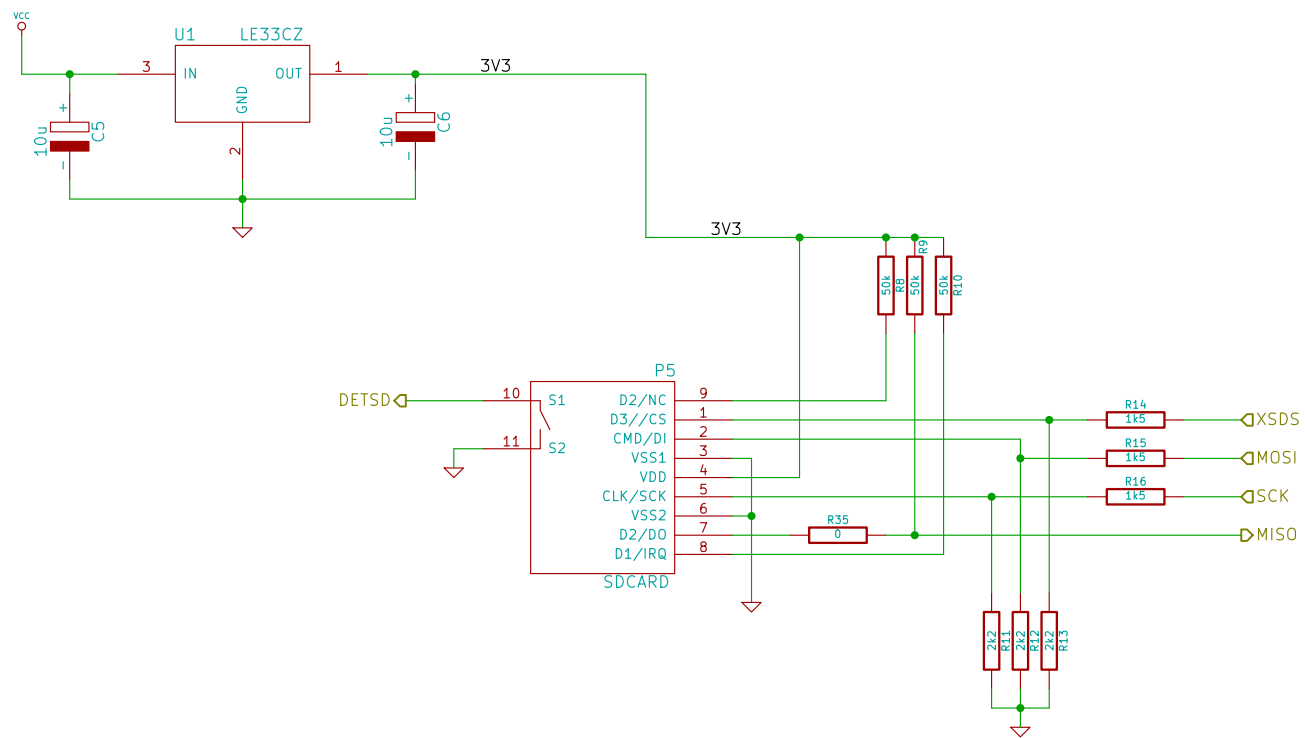
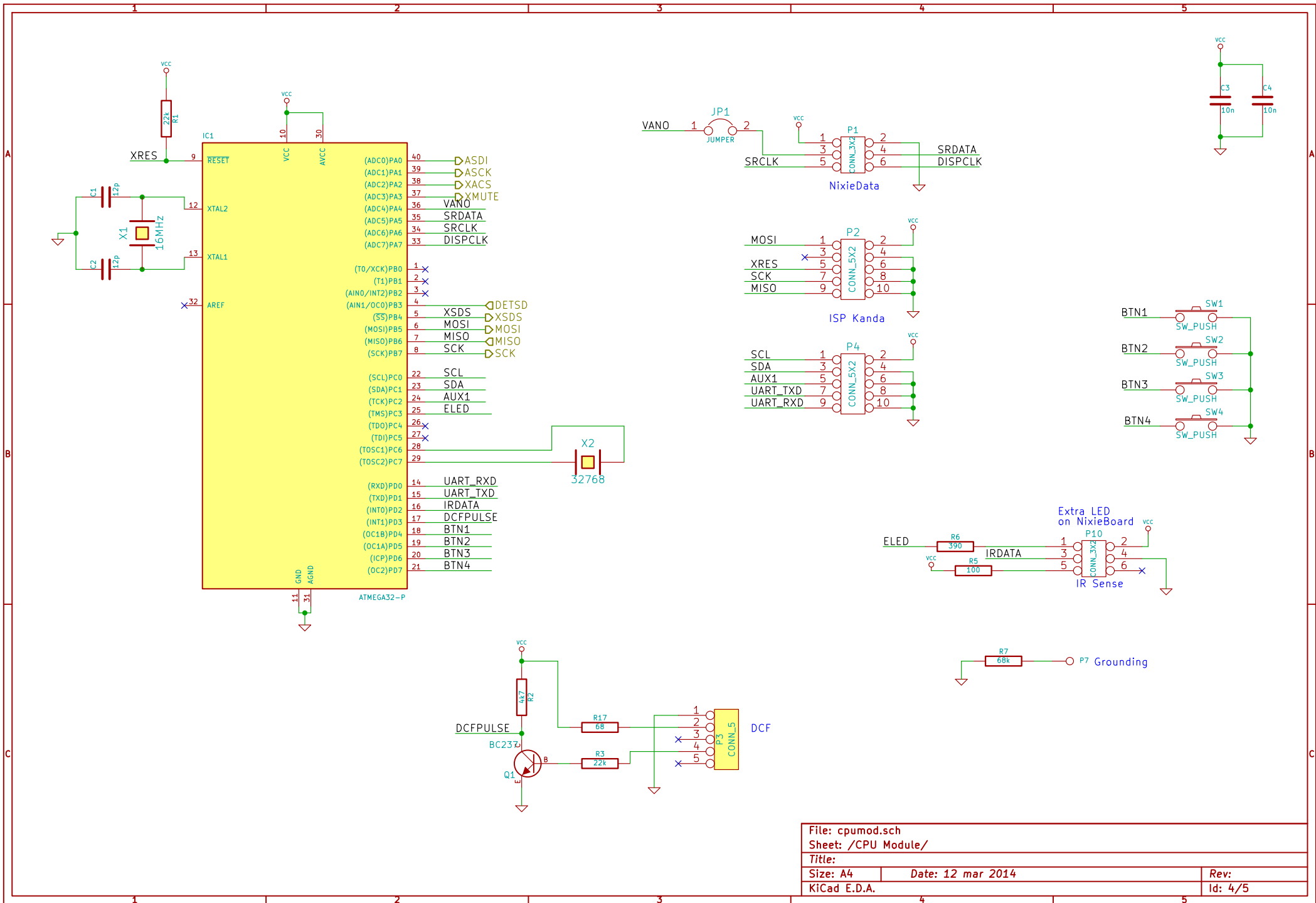


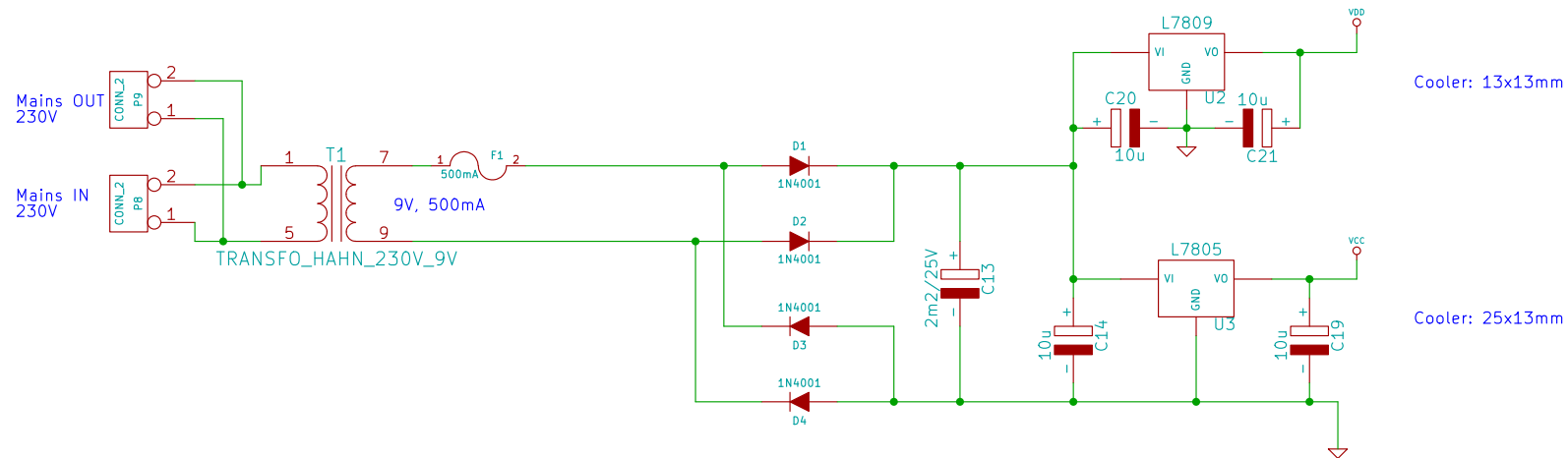
File: audioamp.sch	
Sheet: /Sound Module/	
Title:	
Size: A4	Date: 12 mar 2014
KiCad E.D.A.	Rev: Id: 2/5



File: sdiface.sch		
Sheet: /SD Card Interface/		
Title:		
Size: A4	Date: 12 mar 2014	Rev:
KiCad E.D.A.		Id: 3/5



File: cpumod.sch		
Sheet: /CPU Module/		
Title:		
Size: A4	Date: 12 mar 2014	Rev:
KiCad E.D.A.		Id: 4/5



Cooler: 13x13mm

Cooler: 25x13mm

File: power.sch	
Sheet: /Power Source/	
Title:	
Size: A4	Date: 12 mar 2014
KiCad E.D.A.	Rev: Id: 5/5